

GF-Series

Film Scrap Grinder & Accessories



The GF Series: film scrap grinder for use with asr® systems to recycle edge trim, roll scrap, and loose scrap (pictured above is a GFCN30 with optional roll feeder, hydraulic lift, and AEN air eliminator).

The GF Series grinders from PROCESS CONTROL are used as part of a complete asr® Automatic Scrap Recycling system for in-line recycling of production film scrap.

GF Series grinders are designed to provide efficient, uniform grinding of film scrap. There are three cutting chamber sizes available along with different horsepower motors to accurately match the grinder to the required scrap rate. The GF Series grinders are available in configurations that accept edge and bleed trims, roll scrap, and loose scrap.

Standard carbide-coated knives are employed in the system, increasing the time between sharpening. Three rotor knives approach the stationary bed knife, or knives, at a steep angle to ensure a clean scissors-cut. This technique is used for maximum bulk-density and flow of ground scrap. The open rotor design improves air-flow for cooling, permitting the highest possible throughput.

After the cutting chamber, material passes through a sizing screen that is chosen specifically for the application and material. The ground scrap is pulled through the grinder screen and carried through the process by the scrap conveying fan standard on each GF Series grinder.

The GF Series grinders are available in many different configurations to match your requirements for trim, roll, or loose scrap grinding.

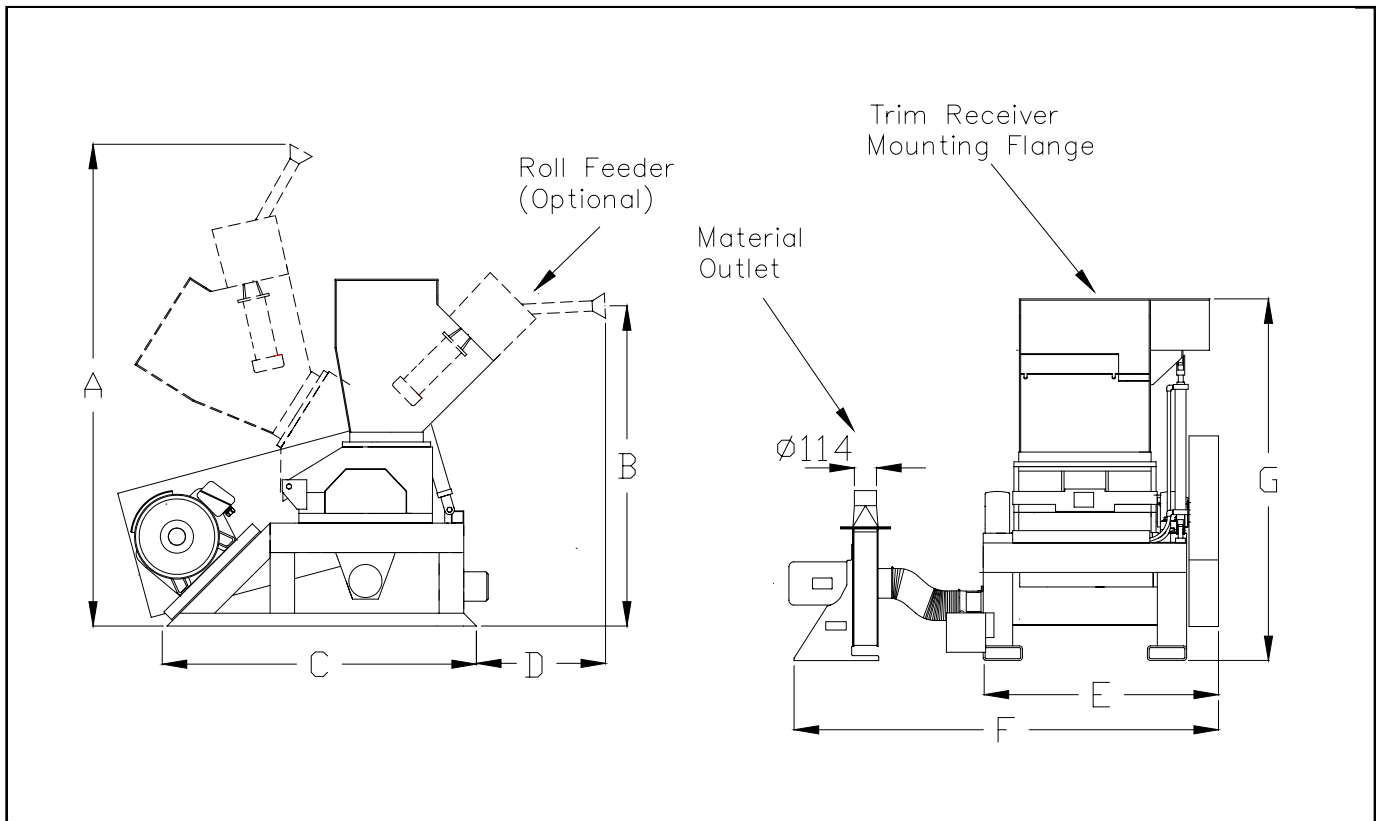
The GF Series grinders are designed to accept the AEN air eliminator, available separately. The AEN effectively separates a large volume of conveying air from edge trims picked up with an inducer.

Reintroduction of roll scrap is achieved with the attachment of an optional RN Series roll feeder. The roll feeder has knurled rolls that provide a strong pull on the film, without wrapping. They are available in several sizes with variable speed DC motors that run at 1 to 10 m/min.

The control panel for the grinders includes a motor starter for the grinder. When purchased as part of a complete asr® system, the control panel includes controls for the inducers and roll feeder, as well.

PROCESS CONTROL grinders are designed specifically for thin gauge film scrap grinding. The task-specific design of the GF Series grinders produces higher density fluff and better flow that maximizes the amount of scrap to be returned to the process.

Film Scrap Grinder & Accessories



Grinder Model	A (mm)	B (mm)	C (mm)	D (mm)	E (mm)	F (mm)	G (mm)
GFB	1955	1200	1145	545	830	1200	1495
GFC	2100	1265	1360	485	910	1425	1525
GFD	2735	1745	1690	675	1220	2200	1875

STANDARD FEATURES

- ▶ ODP motor with 4-sided belt guard (TEFC motor on GFB)
- ▶ open rotor cutting chamber with outboard bearings
- ▶ 3 rotor knives, 1 bed knife (2 bed knives on GFD)
- ▶ 1,5 kW scrap conveying fan (3,7 kW on GFD)
- ▶ mild steel construction
- ▶ carbide-coated knives
- ▶ remote-mount control panel
- ▶ electricals: power requirements 230 V or 460 V / 60 Hz standard (others available). An EFN Series control panel is sold separately.

OPTIONS

- ▶ special paint
- ▶ special electricals
- ▶ hydraulic lift for opening cutting chamber (not available on GFB, standard on GFD)
- ▶ sound enclosure
- ▶ AEN air eliminator separates conveying air from edge trims
- ▶ RF Series roll feeder



PROCESS CONTROL Corporation
Headquarters

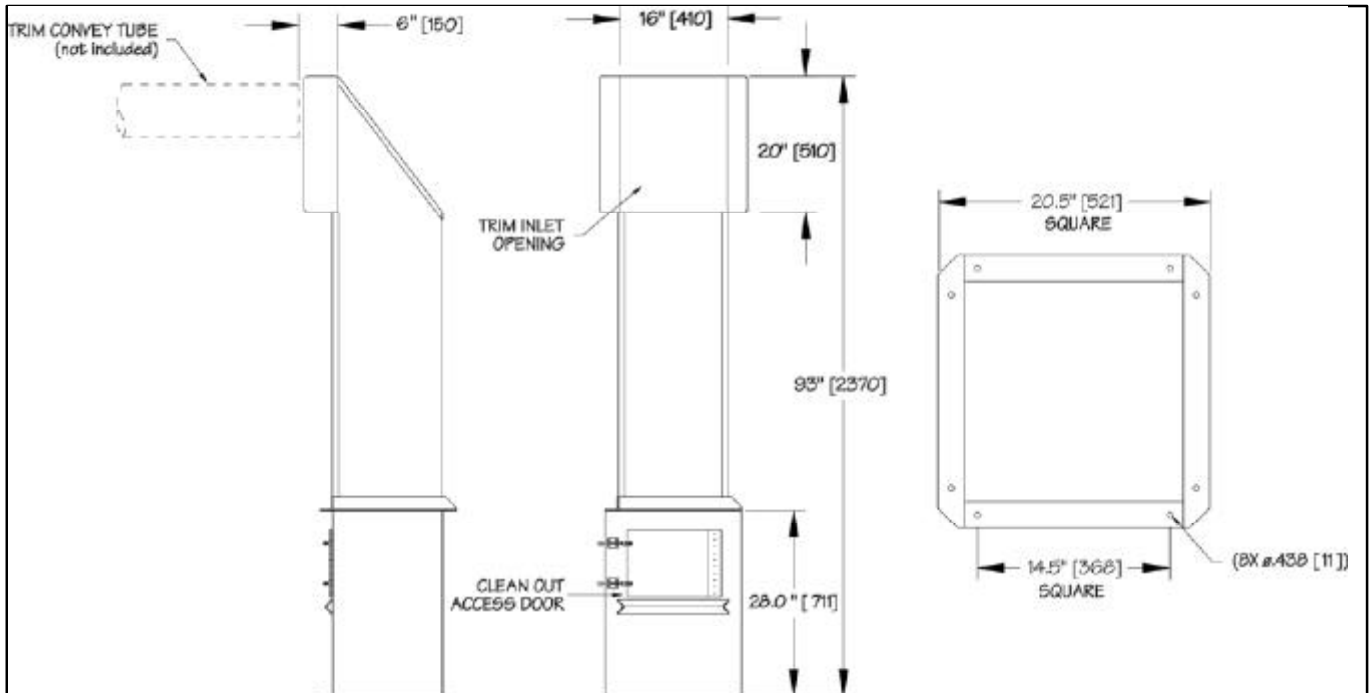
6875 Mimms Drive, Atlanta, GA 30340 USA
 Tel: +1 770 449-8810 Fax: +1 770 449-5445

Plant for Europe

PROCESS CONTROL GmbH

Industriestr. 15, 63633 Birstein, Germany
 Tel: +49 (0) 60 54 - 91 29 0 Fax: +49 (0) 60 54 - 91 29 99
 E-Mail: info@ProcessControl-GmbH.de
 Internet: www.ProcessControl-GmbH.de

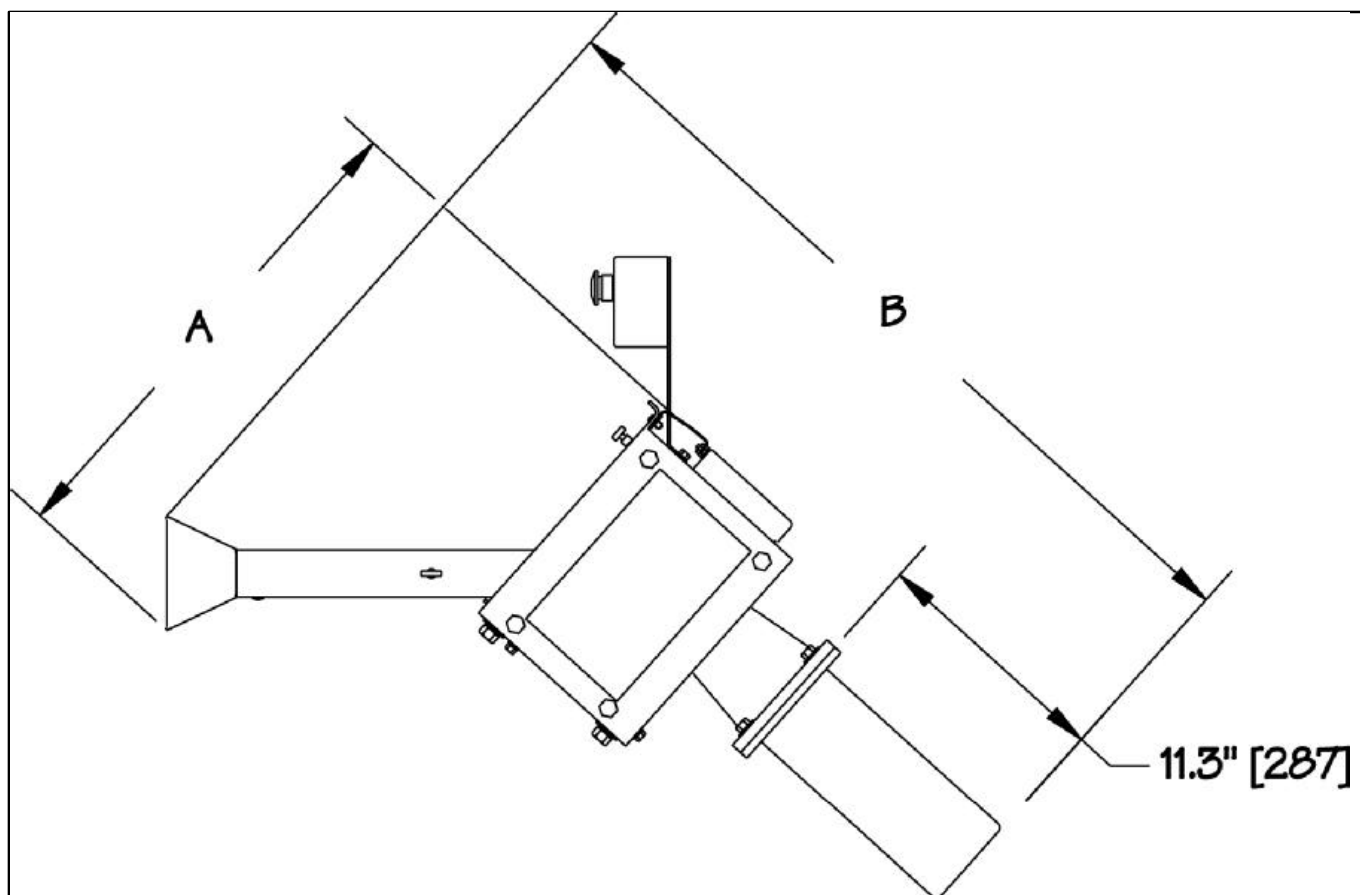
AEN Air Eliminator



SPECIFICATION for AEN AIR ELIMINATOR

Model Number	Maximum Number Of Inducers	Weight (kg)
AEN	Two IN415 (11kW)	35

RFN Series Roll Feeder



SPECIFICATION

Model	Grinder Model	Inlet Size (mm)	A (mm)	B (mm)	Weight (kg)
RFN14	GFB	230x63	584	895	90
RFN15	GFC, GFD	280x50	584	970	100
RFN16	GFD	350x50	615	1050	115



**PROCESS CONTROL
Corporation
Headquarters**

6875 Mimms Drive, Atlanta, GA 30340 USA
Tel: (+1) 770 449-8810 Fax: (+1) 770 449-5445

Plant for Europe

PROCESS CONTROL GmbH
Industriestr. 15, 63633 Birstein, Germany
Tel: +49 (0) 60 54 - 91 29 0 Fax: +49 (0) 60 54 - 91 29 99
E-Mail: info@ProcessControl-GmbH.de
Internet: www.ProcessControl-GmbH.de